

# serie 316 KA 316

## CARATTERISTICHE - SPECIFICATIONS

IN	DIAMETER	Ø	1" BSP
	PRESS.	Min.	-0.1 bar - 1.5 PSI
		Max.	6 bar 87 PSI
TEMP.	Max.	74° C. 165° F.	
OUT	DIAMETER	Ø	1/2 BSP
SHAFT		Ø	24 mm
OIL	SAE 75W90		1.4 litri 0.37 U.S.G.
PESO WEIGHT		Kg / lbs	19.3 / 42.5



FLANGIA CON GIUNTO ELASTICO PER MOTORI IDRAULICI (vedi pag. 30)

BRIDE AVEC ACCOUPLEMENT ELASTIQUE POUR MOTEURS HYDRAULIQUES (voir page 30)

BELL HOUSING + FLEXIBLE COUPLING FOR HYDRAULIC MOTORS (see page 30)

BRIDA CON JUNTA ELÁSTICA PARA MOTORES HIDRÁULICOS (véase pág. 30)



KIT TAPPO VALVOLA CON FORO 1/4 BSP PER MANOMETRO cod. 06.9916.97.3 (OPTIONAL)

VALVE CAP KIT WITH BORE 1/4 BSP FOR PRESSURE GAUGE P/N 06.9916.97.3 (OPTIONAL)

KIT BOUCHON CLAPET AVEC TROU 1/4 BSP POUR MANOMÈTRE réf. 06.9916.97.3 (OPTION)

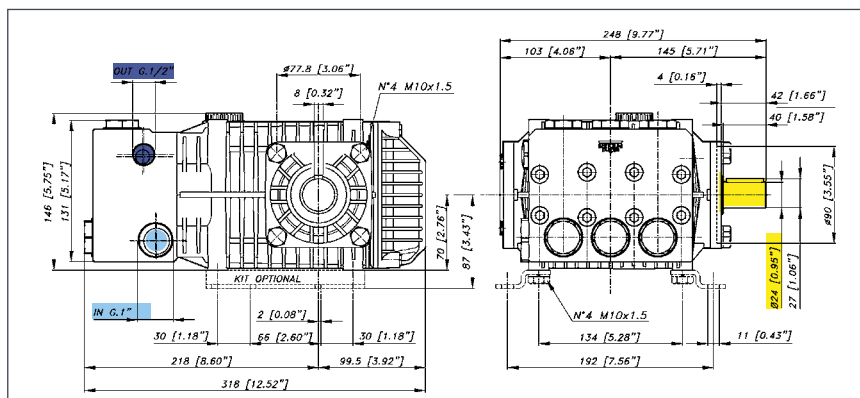
KIT TAPA VÁLVULA CON AGUJERO 1/4 BSP PARA MANÓMETRO cod. 06.9916.97.3 (OPCIÓN)

KIT PIEDINI cod. 05.9890.97.3 (optional)

MOUNTING RAILS KIT P/N 05.9890.97.3 (optional)

KIT SUPPORTS réf. 05.9890.97.3 (option)

JUEGO DE PIES cod. 05.9890.97.3 (opción)



## CARATTERISTICHE - FEATURES

## PERFORMANCE CHART

MODELLO MODEL CODICE PART NR.	MAX		PRESS		RPM 950				RPM 1450				RPM 1725				PIST. CORSA PLUNG. STROKE	
	L/min	GPM	Bar	PSI	L/min	GPM	KW	HP	L/min	GPM	KW	HP	L/min	GPM	KW	HP	Dia. mm	mm
KA 2815 06.4020.97.3	34.0	9.0	100	1450	19.1	5.0	3.7	5.0	28.8	7.6	5.7	7.6	34.0	9.0	6.7	8.9	25	14.4
			125	1813	19.0	5.0	4.7	6.3	28.7	7.6	7.0	9.4	33.8	8.9	8.3	11.1		
			150	2175	18.9	5.0	5.6	7.5	28.6	7.5	8.4	11.3	33.6	8.9	9.9	13.3		
KA 3215 06.4021.97.3	38.7	10.2	100	1450	21.7	5.7	4.3	5.7	32.8	8.7	6.5	8.7	38.7	10.2	7.6	10.2	25	16.4
			125	1813	21.6	5.7	5.3	7.1	32.7	8.6	8.0	10.8	38.5	10.2	9.5	12.7		
			150	2175	21.5	5.7	6.3	8.5	32.5	8.6	9.6	12.8	38.3	10.1	11.3	15.1		
KA 3815 06.4022.97.3	44.8	11.8	100	1450	25.2	6.7	4.9	6.6	38.1	10.1	7.5	10.0	44.8	11.8	8.8	11.8	25	19
			125	1813	25.1	6.6	6.2	8.2	37.9	10.0	9.3	12.5	44.6	11.8	10.9	14.7		
			150	2175	24.9	6.6	7.3	9.8	37.7	10.0	11.1	14.9	44.4	11.7	13.1	17.5		
KA 4215 06.4023.97.3	42.1	11.1	100	1450	27.8	7.4	5.5	7.3	42.1	11.1	8.3	11.1	N.D. N.A.	25	21			
			125	1813	27.7	7.3	6.8	9.1	41.9	11.1	10.3	13.8						
			150	2175	27.6	7.3	8.1	10.9	41.6	11.0	12.3	16.4						
KA 4815 06.4024.97.3	48.1	12.7	100	1450	31.8	8.4	6.2	8.4	48.1	12.7	9.4	12.7	N.D. N.A.	25	24			
			125	1813	31.6	8.4	7.8	10.4	47.8	12.6	11.7	15.7						
			150	2175	31.5	8.3	9.3	12.4	47.6	12.6	14.0	18.8						