

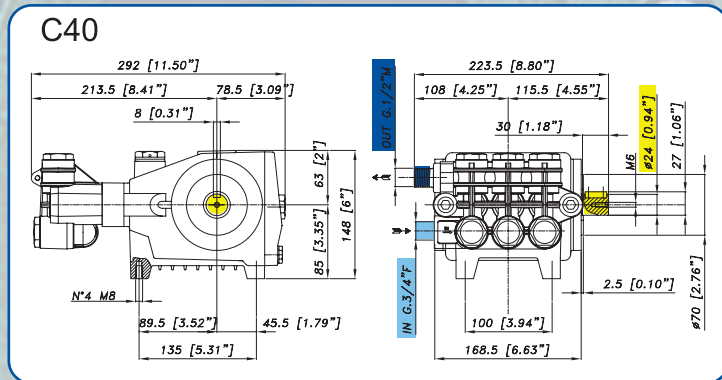
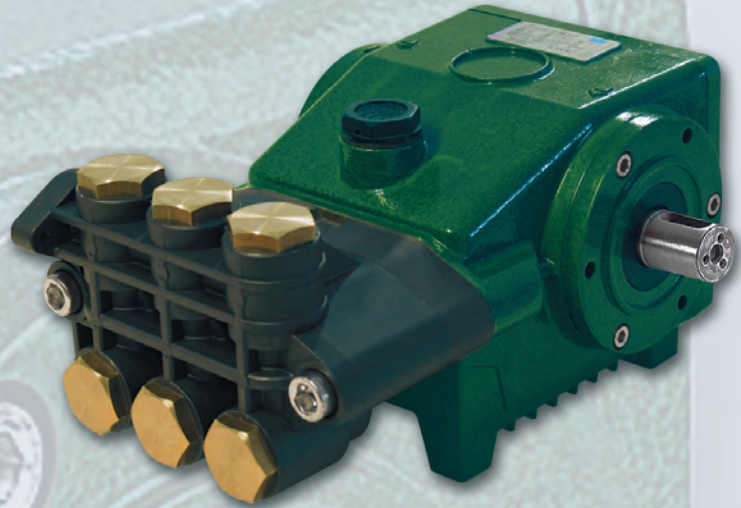
C40

CARATTERISTICHE - SPECIFICATIONS

C40			
IN	DIAMETER	\varnothing	3/4 BSP
	PRESS.	Min.	- 0.1 bar - 1.5 PSI
		Max.	6 bar 87 PSI
TEMP.	Max.	60° C. 140° F.	
OUT	DIAMETER	\varnothing	1/2 BSP
SHAFT		\varnothing	24 mm
OIL		SAE 30 30 W	0.95 litri 0.25 U.S.G.
PESO WEIGHT		Kg lbs	9.2 / 20.2



OPTIONAL



CARATTERISTICHE - FEATURES

C40 1450 rpm

PERFORMANCE CHART

CODICE CODE	MODELLO MODEL	PRESSIONE MAX MAX PRESSURE		PORTATA FLOW		POTENZA POWER		PIST. CORSA PLUNG. STROKE	
		Bar	PSI	l/min	GPM	KW	HP	Dia. mm	mm
38.9900.97.3	C40	50	725	40	10.5	4	5.3	25	20